

Hot Spa Covers

3737 W Thomas Rd, Phoenix, Az, 85019
 Phone: 602-788-1299 Fax: 602-278-0424

Name: _____ Date: _____

Address: _____ City: _____ State: _____ Zip: _____

P.O. #: _____ Called in By: _____ Fax: _____ Phone: _____

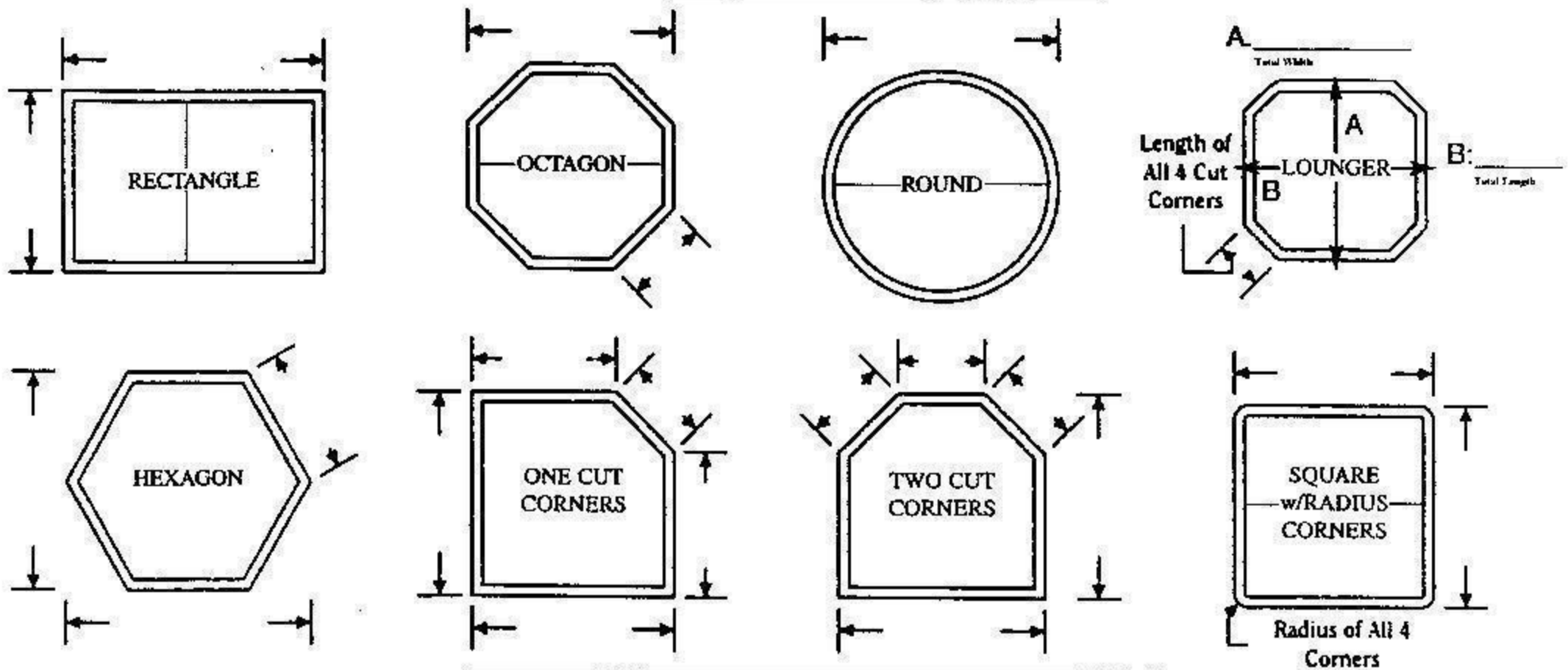
- **Standard Colors:** Brown Rust Almond Desert Tan Sky Blue
 Burgundy Slate Grey Hunter Green Teal Navy
- **Premium Colors:** Moonbeam Maui Sand

** required **Skirt Length** (in inches): _____ **required **Tie Downs** (circle one): 2 4 NONE

Radius corners (circle one if applicable): 2" 3" 4" 5" 6" 7" 8" 9" 10" 11" 12"

Cut Corners (in inches if applicable): _____

MARK HINGE DIRECTION WITH LINE. ALWAYS MEASURE IN INCHES



Measuring A Radius Corner

The dash line represents what you need to measure!
 Measure to a hypothetical 90 degree corner.
 This is the radius measurement of the corner.

Place a carpenter's square up against the corner and read the inside measure where it touches the cover.
ALWAYS ROUND DOWN to the next lower inch!
 Never round up!

Visa/Mastercard: _____

Agreement Between Dealer and Spa Owner

Expires: _____

Cover specifications above were provided by the Spa Owner.
 Owner assumes responsibility for cover specifications.

Spa Owner Signature: _____